



Prime collection

Aritco 2000, 7000
Product catalogue



Aritco Prime collection – your safest choice!

This catalogue is primarily made for all our partners around the world. The purpose is to show what Aritco can offer in terms of products, options and possible combinations.

The document is another result of the on-going efforts to continuously improve performance and support towards our partners and customers.

Some highlights:

LEAD-TIME

Normal lead-time for a standard product is less than 3 weeks. During July and August, the lead-time can be slightly higher. Some options have a longer lead time – which is clearly communicated in the ordering system AOS and the price list.

95% DELIVERY ACCURACY OF PRODUCTS

During more than 1 year, we have had a delivery accuracy of more than 95%, i.e. we have delivered within the agreed delivery week.

DELIVERY ACCURACY OF SPARE PARTS

If the spare part order is received before 11.00 a.m. the aim is to deliver the same day. Again – for more than 1 year we have had an accuracy of more than 95%.

PRODUCT QUALITY

This is a focus area for constant improvements. All Non Conformity Reports (NCR's) from our partners are registered and dealt with. The entire NCR file is presented on the partner desktop. Here it is possible to follow specific reports as well as trends etc. The file is open for all our Partners at all times.

ARITCO PARTNER DESKTOP

Our web site www.aritco.com is the centre for all our information and communication. Make sure you have a log-in to the Partner Desktop. If you do not have one, just contact your sales representative. On the Partner Desktop you will find, among others, this product catalogue, pricelists, technical documentation, picture gallery, news etc – always up to date.

Aritco 7000

Introduction	3
Platforms	4
Outdoor execution	7
Door	9
Shaft	16
Communication	18
Miscellaneous	19

Aritco 2000

Introduction	20
Platforms	21
Door	23
Shaft	25
Communication	26
Miscellaneous	27

Glass panels	28
Order information	28
Platform measurements	29
Platform overview	38
Aritco contact information	43

Due to continual product development, specifications are subject to change without notice.

With reservations for misprint and articles out of stock.

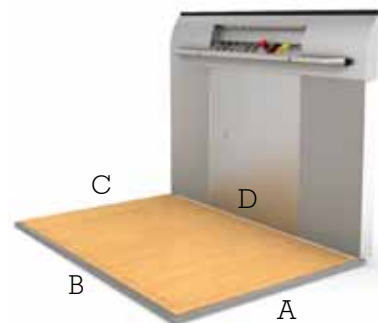


Inspired in design, comfort and simplicity, the Aritco 7000 offer a range of extraordinary possibilities. We combine creativity, technical know-how and professional commitment for an exceptional construction and lifelong durability. All of our platform lifts comply with European standards and regulations.

Aritco 7000 lift is designed to fit into any environment and suit any project. It is our most versatile platform lift, tailored to meet selected needs and tastes. You have the choice of a variety of functional features and interior/exterior design options. Platform sizes, glass modules, a range of colours, stainless steel details and spotlights are just some of the many alternatives to choose from. Installation requires just a few days.

Platform

The platform is the floor of the lift and is in its basic execution delivered with a side wall (half height) including the control panel. For a more conventional lift look there is an option for a full height console. There are 8 different platform sizes to choose from to suit needs or space restriction. The faceplate includes LED lightening, emergency signal button and emergency stop. Panels are painted in Element Magne MX 288E as standard. For shaft- and structural opening measurements, see appendix from page 29.



Platform A/C x B (mm)	Travel height ¹⁾ (mm)	Speed, max (m/s)	Max load (kg)	Wheelchair according to prEN81-41	400V 3-phase	400V 3-phase 60Hz	230V 3-phase	230V 1-phase
900 x 1040	250 - 13000	0,15	250	✓ ²⁾	✓	✓	✓	✓
900 x 1280	250 - 13000	0,15	410	✓ ²⁾	✓	✓	✓	✓
900 x 1480	250 - 13000	0,15	500	✓ ³⁾	✓	✓	✓	✓
1000 x 1280	250 - 13000	0,15	410	✓ ²⁾	✓	✓	✓	✓
1000 x 1480	250 - 13000	0,15	500	✓ ³⁾	✓	✓	✓	✓
1000 x 1980	250 - 13000	0,15	500	✓ ³⁾	✓	-	✓	-
1100 x 1480	250 - 13000	0,15	500	✓ ³⁾	✓	✓	✓	✓
1100 x 1580	250 - 13000	0,15	500	✓ ³⁾	✓	✓	✓	✓

¹⁾ Travel height when using a half door is maximum 3000 mm

²⁾ Room for wheelchair type A

³⁾ Room for wheelchair type A & B with assistant

Load limits per power supply	400V 3-phase	400V 3-phase 60Hz	230V 3-phase	230V 1-phase
250 kg	✓	✓	✓	✓
410 kg	✓	✓	✓	✓
500 kg	✓	-	✓	-

OPTIONS

Platform size A/C x B (mm)	Full height consol panels ¹⁾ min 2200 (mm)	Half height consol with panels in stainless steel	Panels painted in optional RAL colour	Outdoor execution ²⁾
900 x 1040	-	-	✓	✓
900 x 1280	-	-	✓	✓
900 x 1480	✓	✓	✓	✓
1000 x 1280	-	-	✓	✓
1000 x 1480	✓	✓	✓	✓
1000 x 1980	-	-	✓	✓
1100 x 1480	✓	✓	✓	✓
1100 x 1580	-	-	✓	✓

¹⁾ The full height consol comes with a mirror with LED lightening above as standard. The full height consol is not available in stainless steel.

²⁾ For specifications, options and limitations, see page 7.



Platform OPTIONS

STEEL KERB

Steel kerb / safety frame (80 mm high) on all sides, except door side. To protect the lower part of the platform.

PLATFORM FACEPLATE

The faceplate contains the destination buttons, emergency stop, alarm button, safeline (option), company logo, max weight and number of persons allowed. User instructions are available in following languages: Catalan, Czech, Danish, Dutch, English, Finnish, French, German, Greek, Hungarian, Icelandic, Lithuanian, Norwegian, Polish, Portuguese, Russian, Spanish, Swedish and Turkish.



All text and logos are screened to ensure good quality.
On request an individual logo can be screened on the faceplate.

- Aluminium
- Stainless steel

FACEPLATE PANEL

The faceplate panel in welded brushed aluminium gives a soft finish to the platform.
To prevent any trapping, a security list is mounted behind the faceplate panel which cuts off the security circuit when pressed down.



EMERGENCY STOP BUTTON

Button in "mushroom" type for emergency situations.



FOLD DOWN SEAT

In solid birch and with chromed brackets.
The seat has to be folded back manually after use.
Size: 320 x 400 mm



RAMP

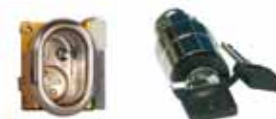
For easier access to platforms without pit.
In corrugated aluminum to prevent slipping.
Available for all platform sizes.
All platforms can be prepared for pit without ramp or otherwise directly on the floor/ground for adding a ramp.



KEY SWITCH

Locks the platform functions and prohibits unauthorized use. Two brands to choose from:
- ASSA (Nordic markets only). Aritco does not deliver the locking cylinder but only the housing.
- Telemecanique (2-ways, not retractive)

Aritco can provide one key switch per platform. The key switch can be serial connected to the emergency stop or to one or more buttons.



ASSA

Telemecanique

Aritco 7000 – platform

HANDRAIL

The handrail is mandatory according to the EN 81-41 standard.

- Aluminium
- Stainless steel



MIRROR

Only for full height console.

Size: 75 x 90 mm

DESTINATION BUTTON

Buttons are all in line with the standard EN 81-70 for disabled.

Standard buttons are always engraved. Buttons 0 - 3 can also be molded. But if additional buttons are ordered along with the 0 - 3 buttons, they will all be delivered as engraved. Individual special characters are always delivered engraved. Maximum 2 individual characters can be ordered.

Numbers	Letters
0	-2
1	-1 B
2	0 BG
3	1 BV
	2 G
	3 K
	4 KV
	5 P
	6 U
	E



Other numbers and text can be ordered at additional cost

LANDING INDICATOR

Digital display positioned at the platform faceplate. The indicator can also be fitted with a voice announcer which is available in Danish, Dutch, English, Finnish, French, German, Norwegian, Polish and Swedish.

The landing indicator can also show information from the system.

- Warning if the batteries are low.
- A bell when the alarm button has been pressed.
- Number of starts and total run time since installation or since last reset.
- A weight symbol will appear if the lift is overloaded.
- "Fire" is shown when a fire alarm is activated in the building.



FLOORING

Vinyl, rubber, aluminium or simply no flooring at all. Choose between following options:



5710 - Grey



5660 - Blue



5620 - Beige



5630 - Sand



3280 - Classic Beech



3340 - European Oak



Aluminium



Black rubber



Blue rubber

The platform is prepared for other types of floors with maximum thickness of 3 mm without any modifications.

Aluminium flooring is not available for platform 900x1040 mm.

Outdoor execution

Aritco 7000 for outdoor use is designed for outside use and equally suited to cool northern conditions as well as hot sunny climates. Typically installed at offices, schools and apartment buildings, the lift can be accustomed with any number of different options, materials and wall colours so that it can blend right into the environment.

The outdoor execution consists of different options that enable an outdoor installation. All outdoor lifts are delivered with yellow chromate guides to avoid corrosion. Depending on the installation environment different options must be used to avoid water leakage. If water leaks in due to lack of necessary equipment or if the lift has been installed in wrong conditions, Aritco reserves the right to deny warranty claims. For more information please contact your Aritco sales representative.

- Top roof with listings. One corner open for water outlet. (All joints to be sealed with sealing paste).
Included in delivery
- Ceiling with lightning
- Upper panel with fan holes
- Bottom panel with ventilation holes
- Cabinet cover sealed
- Cladded machine side
- Door canopy

Available for platform sizes	Yellow cromate guides	Roof	Ventilation fan	Heater	Door canopy
900 x 1040	✓	-	-	✓	✓
900 x 1280	✓	-	-	✓	✓
900 x 1480	✓	-	-	✓	✓
1000 x 1280	✓	-	-	✓	✓
1000 x 1480	✓	✓	✓	✓	✓
1000 x 1980	✓	-	-	✓	✓
1100 x 1480	✓	✓	✓	✓	✓
1100 x 1580	✓	-	-	✓	✓

EI60 fire & smoke proof doors must not be installed outside, since they do not have any corrosion protection and are sensitive for humidity.

Conditions for installation:

- Environment temperature max + 35° down to -5°C.
- Installation is not recommended in salt or chlorine enhanced environment.
- Snow load is max 2kN/m2. Snow-load zone as in EN 1991-1-3.
- Protection against wind-loads over 10m/s is required.
- If the lift is installed outside and rain can reach the machine side, a machine side cladding must be used.
- A special oil, aimed for outdoor usage must be used.
- To avoid water leakage, all joints on top roof are to be sealed after installation.
- The pit must be drained and also protected from freezing.
- If the lift is going to be installed in colder climate than -5°C, an externally shaft must be built that is heated.



Outdoor execution OPTIONS

DOOR CANOPY

A sloping roof placed above each door at outdoor execution. Galvanized and painted in RAL 9003 (Aritco white) as standard. If the shaft panels are painted in another RAL colour, the door canopy will automatically have the same colour as the panels.

Width: 1160 mm.

Slope angle: 23°

Depth: 450 mm



ROOF

For outdoor execution, platform sizes 1480 x 1000 and 1480 x 1100. The roof has plugged holes in each corner which can be easily unplugged when deciding where the water shall drain.

If the shaft panels are painted in another RAL colour, the roof will automatically have the same colour as the panels.

VENTILATION FAN

Removes moisture and heat from the shaft. Recommended for damp and hot environments.

The fan is mounted in the top of the shaft on a plate with holes. The fan can only be used together with 1000 x 1480 and 1100 x 1480 platforms.



HEATER

The heater of 2000W is placed at the bottom of the shaft. Requires an external power connection.

Recommended for colder environments.



Door

The Aritco lift door is made of toughened galvanized steel and laminated and toughened glass, 8 mm thick. All doors are prepared with holes for door handle but can be ordered without holes at additional cost for customers who want to use their own handrails. All doors can be left- or right hinged. All doors include a door frame. It is not possible to order the door or the frame separately.

DOOR LARGE GLASS

The standard door with a clear glass is painted in RAL 9003 Structure (Artico white) as standard. But we offer the possibility to have the blade, frame or both painted in the RAL colour of your choice or have the door in stainless steel at additional cost. The glass can be ordered dark tinted (JT5), light tinted (JT16) or frosted (JT23) at additional cost.

Large glass doors are available in three widths; 800, 900 and 1000 mm with glass size: 660 x 1520, 760 x 1520 and 860 x 1520. There are four different heights to choose from; 1800, 1900, 2000 and 2100 mm. The height measure is the door opening height. The actual height of the door is 40 mm higher since a plate that covers the joint between the door and the frame is mounted on the door.

Measures (mm)	Available for B-side measure (mm)	Available for A/C side measure (mm)	Optional RAL colour ¹⁾ /stainless steel
800 x 1800	1040	900	✓
800 x 1900	1040	900	✓
800 x 2000	1040	900	✓
800 x 2100	1040	900	✓
900 x 1800	1280/1480/1580/1980	1000/1100	✓
900 x 1900	1280/1480/1580/1980	1000/1100	✓
900 x 2000	1280/1480/1580/1980	1000/1100	✓
900 x 2100	1280/1480/1580/1980	1000/1100	✓
1000 x 2000	1280/1480/1580/1980	1100	✓
1000 x 2100	1280/1480/1580/1980	1100	✓

¹⁾ The door can be painted in any RAL colour at additional cost.

DOUBLE GLASS DOOR

Door with two panels in clear glass.

Measures (mm)	Available for B-side measure (mm)	Available for A/C-side measure (mm)	Clear glass JT0 ¹⁾ (standard)	Optional RAL ²⁾ colour/stainless steel
800 x 2000	1040	900	✓	✓
900 x 2000	1280/1480 1580/1980	1000/1100	✓	✓

¹⁾ The glass can be tinted (JT16 or JT5) or frosted (JT23) at additional cost.

²⁾ The door can be painted in any RAL colour at additional cost.



Aritco 7000 – door

DOUBLE-HINGED GLASS DOORS

The double-hinged glass doors are made of 17,5 mm laminated glass and always delivered with two internal door openers with an adjustable opening speed. The doors are available with different types of glass. Clear glass (JT0) is standard but there is also the option of dark tinted (JT5), frosted (JT23) or light tinted (JT16).

The profiles around the glass are painted in RAL 9007.

Available for platforms with A/C side of 1000/1100.

Door width: 900 mm

Door height: 2000 mm.

Measures (mm)	Available for A/C side measures	Available for B-side (mm)
900 X 2000	1000/1100	-



HALF HEIGHT DOOR WITH GLASS

If you require an open shaft or if the head space is low, the use of a half size door may be a good solution. The half height door can not be combined with EI60 fire and smoke proof doors. Door widths available are 800 and 900 mm with a minimum height of 1100 mm and maximum 1600. The door is only allowed for lifts with a travel height up to 3 metres (within EU).

Measures (mm)	Available for A/C-side (mm)	Available for B-side (mm)	Door in RAL 9003 structure/Aritco white, standard ¹⁾	Clear glass ²⁾ (JT0), standard	Optional RAL colour/stainless steel
800 x 1100	900	1040	✓	✓	✓
800 x 1100 - 1600 (customed height)	900	1040	✓	✓	✓
900 x 1100	1000/1100	1280 / 1480	✓	✓	✓
900 x 1100 - 1600 (customed height)	1000/1100	1480	✓	✓	✓

¹⁾ The door can be painted in optional RAL colour at additional cost.

²⁾ The glass can be ordered in light tint (JT16), dark tint (JT5) and frosted (JT23) at additional cost.

When using a customed height half door, consider the following criteria regarding travel height.

If the door on first level has a ramp, the total travel height can vary.

Door opening height (mm)	Travel height when a ramp on first level (mm)	Travel height with a pit on first level (mm)
1800	490 – 990	440 – 940
1900	590 – 1090	540 – 1040
2000	690 – 1190	640 – 1140
2100	790 – 1290	740 – 1240



EI60 – FIRE & SMOKE PROOF DOOR

Complies with the lift directive 95/16/EC and EN 81-58.

The EI60 door is available in three different widths; 800, 900 and 1000 mm and in all full height sizes.

A widening panel is available for 1800, 1900, 2000 and 2100 mm high doors. The extra panel is also available with a hatch on A or C side to cover the electrical cabinet and via the hatch have access to the cabinet.



Measures (mm)	Available for B-side measure (mm)	Available for A/C side measure (mm)	Optional RAL colour/ stainless steel
800 x 1800	1040	900	✓
800 x 1900	1040	900	✓
800 x 2000	1040	900	✓
800 x 2100	1040	900	✓
900 x 1800	1280/1480	1000/1100	✓
900 x 1900	1280/1480	1000/1100	✓
900 x 2000	1280/1480	1000/1100	✓
900 x 2100	1280/1480	1000/1100	✓
1000 x 2000	1280/1480	1100	✓
1000 x 2100	1280/1480	1100	✓

Door frames for EI60 doors 800 mm width

Platform side (mm)	Door 800 x 1800	Door 800 x 1900	Door 800 x 2000	Door 800 x 2100
900	1060 x 2020	1060 x 2120	1060 x 2220	1060 x 2320
1040	1060 x 2020	1060 x 2120	1060 x 2220	1060 x 2320

Door frames for EI60 doors 900 mm width

Platform side (mm)	Door 900 x 1800	Door 900 x 1900	Door 900 x 2000	Door 900 x 2100
1000	1160 x 2020	1160 x 2120	1160 x 2220	1160 x 2320
1100	1260 x 2020	1260 x 2120	1260 x 2220	1260 x 2320
1280	1300 x 2020	1300 x 2120	1300 x 2220	1300 x 2320
1480	1500 x 2020	1500 x 2120	1500 x 2220	1500 x 2320

Door frames for EI60 doors 1000 mm width

Platform side (mm)	Door 1000 x 2000	Door 1000 x 2100
1100	1260 x 2220	1260 x 2320
1280	1300 x 2220	1300 x 2320
1480	1500 x 2220	1500 x 2320

Widening panel with or without hatch for the electrical cabinet.

Door height	Width	Height
1800	213	2020
1900	213	2120
2000	213	2220
2100	213	2320

Aritco 7000 – door

DOOR FRAME

The door frame in galvanized steel is painted in RAL 9003 (Aritco white) as standard but can be painted in any RAL colour of your choice at additional cost. Available in 6 different widths: 1060, 1160, 1260, 1300, 1500 and 2000 mm. The 900 and 1000 wide doors can on the B-side be displaced. This applies only to frame sizes 1300, 1500, 1600 and 2000 mm. Displacement is not possible for EI60 fire & smoke proof doors. The door frame cannot be ordered separately.



DOOR FRAME MEASUREMENTS

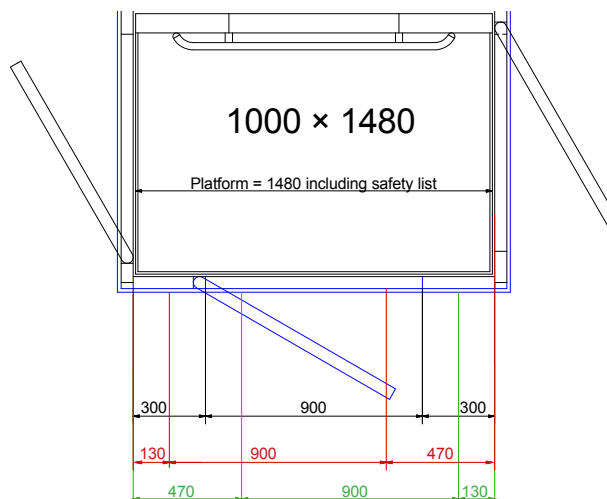
Platform side	Door 800 x 1800	Door 800 x 1900	Door 800 x 2000	Door 800 x 2100	Door 900 x 1800	Door 900 x 1900	Door 900 x 2000	Door 900 x 2100	Door 1000 x 2000	Door 1000 x 2100
900 ¹⁾	1060 x 2040	1060 x 2140	1060 x 2240	1060 x 2340	-	-	-	-	-	-
1040 ²⁾	1060 x 2040	1060 x 2140	1060 x 2240	1060 x 2340						
1000 ¹⁾	-	-	-	-	1160 x 2040	1160 x 2140	1160 x 2240	1160 x 2340	-	-
1100 ¹⁾	-	-	-	-	1260 x 2040	1260 x 2140	1260 x 2240	1260 x 2340	1260 x 2240	1260 x 2340
1280 ²⁾	-	-	-	-	1300 x 2040	1300 x 2140	1300 x 2240	1300 x 2340	1300 x 2240	1300 x 2340
1480/1580 ^{2) 3)}	-	-	-	-	1500 x 2040	1500 x 2140	1500 x 2240	1500 x 2340	1500 x 2240	1500 x 2340
1980 ^{2) 3)}	-	-	-	-	2000 x 2040	2000 x 2140	2000 x 2240	2000 x 2340	2000 x 2240	2000 x 2340

- ¹⁾ Available for A/C side.
- ²⁾ Available for B side.
- ³⁾ Includes widening panels.

POSSIBLE DISPLACEMENT OF DOOR ON B-SIDE

Frame size on B-side (mm)	Door width (mm)	Standard frame width ¹⁾ (mm)	Minimum frame width ²⁾ (mm)	Maximum frame width ²⁾ (mm)	Possible displacement ³⁾ (mm)
1300	900	200	130	270	70
1500	900	300	130	470	170
1600	900	350	130	570	220
2000	900	550	130	970	420
1300	1000	150	130	170	20
1500	1000	250	130	370	120
1600	1000	300	130	470	170
2000	1000	500	130	870	370

- ¹⁾ Standard frame width on each side of door.
- ²⁾ Minimum frame width on left or right side of the door, maximum frame width on the opposite side of the door.
- ³⁾ Only possible to change the position of the door with the displacement in the table.



Door OPTIONS

DOOR HANDLE

Follows the standard prEN 81-41

Ø: 30-45 mm

Distance between door and door handle: minimum 35 mm

- Anodized aluminium; easy to clean and keep clean: no finger prints.
- Stainless steel



DOOR FACEPLATE

The door faceplate can hold

- Call button
- Key switch Telemecanique, ASSA
- Call button & sensor
- Call button and key switch Telemecanique, ASSA

The faceplate in stainless steel gives the lift a more stylish impression, especially when combined with the stainless steel door handles. Possibility to place it at a distance from the lift.

- Aluminium (standard)
- Stainless steel.

Size: 95 x 185 mm

On request an individual logotype can be screened on the faceplate.



ASSA

Telemecanique

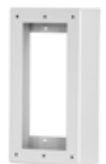
Faceplate box alternatives	Call button	Key switch ¹⁾	Call button & sensor	Call button and key switch ¹⁾
On door	✓	✓	✓	✓
In surface box	✓	✓	✓	✓
In inset box	✓	✓	✓	✓

¹⁾ ASSA, Telemanique

EXTERNAL CALL STATION BOX

Comes as standard in RAL 9003 (Aritco white). The box can either be mounted exterior on a wall or flush mounted, next to the door or if needed on another wall as far as the length of the delivered cable which is 1.5 m.

Size: 95 x 185 x 50 mm



KEY SWITCH

When you want to have a key in order to access the lift. Includes school locking function which automatically locks the door when it closes. Two brands to choose from:

- ASSA (Nordic markets only). Aritco does not deliver the locking cylinder but only the housing.
- Telemecanique (3-ways, retractive)

Aritco can provide one key switch per door. The key switch can be serial connected to the emergency stop or to one or more buttons.



ASSA

Telemecanique

Aritco 7000 – door

CALL BUTTON

The call button comes with a background lit frame which indicates the status of the lift.

- Green light indicates that the lift is at your floor. Lights only on the floor where the platform is at the moment.
- Red light indicates that the lift is occupied. It is busy and you cannot call for it.
- The flashing light indicates that the security circuit is broken, e.g. that the emergency button is pressed, the door is open on another floor for more than one minute, the door is blocked or the safety frame is pressed down. The flashing light can also be activated by a sum alarm, more information is then available in the service memory.



RADIO CONTROLLED CALL BUTTON

The radio controlled button, placed in a plastic box, gives the customer the freedom to place the call button wherever they would like but within 10 meters from the lift. The button will run on batteries and will provide remote controlled access to the lift.

- White plastic box



LANDING INDICATOR

Digital display positioned at the door faceplate. The indicator can also be fitted with a voice announcer which is available in Danish, Dutch, English, Finnish, French, German, Norwegian, Polish and Swedish.

The landing indicator can also show information from the system.

- Warning if the batteries are low.
- A bell when the alarm button has been pressed.
- Number of starts and total run time since installation or since last reset.
- A weight symbol will appear if the lift is overloaded.
- “Fire” is shown when a fire alarm is activated in the building.



COVER PLATE

A plate that covers the hole where the door faceplate normally is placed.

The cover plate is always delivered in the same colour as the door frame. Standard is RAL 9003 structure.

Door MACHINERY

DOOR OPENER INTERNAL

Opens and closes the door automatically. It is built into the door which makes it invisible.
 Not available for outdoor execution or EI60 fire & smoke proof doors.
 Available for both left- and right hinged doors.



DOOR OPENER EXTERNAL

Opens and closes the door automatically for easier access.
 Available for both left- and right hinged doors.



DOOR CLOSER INTERNAL

Standard equipment.
 Closes the door automatically. It is built into the door which makes it invisible.
 Available for both left- and right hinged doors.
 Includes function to keep door open until the user manually closes the door.



DOOR CLOSER EXTERNAL

Closes the door automatically.
 Not available for EI60 fire & smoke proof doors, half height doors and stainless steel doors.
 Available for both left- and right hinged doors.
 20-40 N Force is needed to open the door.



HOLD OPEN ARM FOR DOOR CLOSER

Keeps the door open until the user manually closes the door.
 Can only be combined with external door closer.
 Not available for or EI60 fire & smoke proof doors or half height doors.



	Large glass /double glass door	Half height door	Fire & smoke proof door EI60	Double-hinged glass door
Door opener internal	✓	✓	-	✓
Door opener external	✓	✓	✓	-
Door closer internal	✓	✓	✓	-
Door closer external	✓	-	-	-
Hold open arm ¹⁾	✓	-	-	-

¹⁾ Can only be combined with external door closer.

Shaft

The shaft is the vertical enclosed space that forms the walls of the lift. Width and depth is accommodated to lift specifications. The 25 mm thick shaft panels are made of non-flammable rockwool and galvanised steel. Three sides of the lift can be fitted with 8 or 10 mm laminated glass panels. Glasses of 1472 mm height or more are always 10 mm thick. The glass is available in different tints. It can also be ordered in frosted and clear glass.

SHAFT PANELS

Height (mm)	Painted in RAL 9003 structure, standard	Painted in optional RAL colour	Stainless steel ¹⁾
575	✓	✓	✓

¹⁾ Only available for platform sizes 1000 x 1480 and 1100 x 1480.



SHAFT PANELS / GLASS WITH ALUMINIUM PROFILE

Height (mm)	Clear glass (JT0)	Dark tinted glass (JT5)	Tinted glass (JT16)	Frosted glass (JT23)
736	✓	✓	✓	✓
1472	✓	-	-	-
2208	✓	-	-	-
Customized ¹⁾	✓	✓	✓	✓

¹⁾ Additional cost per mm.

Maximum height per glass panel is 2500 mm



Shaft OPTIONS

MACHINE SIDE CLADDING

The machine side cladding in galvanised steel covers the backside of the machine side if the lift is not mounted against a wall. The cladding can run from bottom to top height, but can also be ordered partly if the lift is partly mounted to a wall. The cladding is painted in same colour as shaft panels.

Size: Travel height plus top height.

Size	Painted in RAL colour	Stainless steel ¹⁾
Complete	✓	✓
Partly (in mm)	✓	✓

¹⁾ Only available when the D side is 1480 mm.

INNER CEILING

Painted in same colour as shaft walls.

Available in stainless for platform sizes 1000 x 1480 and 1100 x 1480.

– With fluorescent lamp (not available for platform 900x1040)

– LED illumination. Complies with LUX regulations



MAST

For lengths 4500 - 13000 the frame is always delivered in parts

For lengths 2500 - 4499 the frame can be delivered in parts if required.

The smallest possible length in order to split up a mast is 4660 mm (travel height 3400 mm).

Mast size (mm)	Number of parts	Length of each part (mm)
4660 – 6240	2	3750
6240 – 8730	2	4990
8730 – 12480	3	4990
> 12480	3	4990 ¹⁾

¹⁾ Plus loose guides.

ELECTRICAL CABINET

Standard position for the electrical cabinet is the upper floor where the door is located. If the standard position of the electrical cabinet proves difficult we offer the option to move it to another landing or to place it externally in a locable casing.

For platform size 900x1040 mm the electrical cabinet is mounted behind the platform panel and in the top of the shaft. It can not be reached from outside the shaft.

The service panel is placed in the electrical cabinet and is used to run tests etc., and for emergency running the lift.



Size: 180 x 880 mm

EXTERNAL SERVICE PANEL

Used to run system tests etc., and for emergency running the lift.

Size: 95 x 185 mm

An external service panel is available for mounting outside the lift. In this case a wire connects it from the service panel.

For platform size 900x1040 the service panel is mounted in top part of the shaft and can't be reached from outside. Therefore it is connected to an external service panel which is mounted in a faceplate box, since it must be possible to reach it from outside. The external service panel must be activated with a 3 edge key before it can be used.



SHAFT SUPPORT BRACKET

Installed around the shaft in order to stabilize it when not mounted against a wall. One shaft support bracket shall be used per floor, except the bottom floor. The bracket is painted in same RAL colour as the shaft panels. Available in two sizes – one to fit platform widths of 1280, 1480 and 1580 and one for 1980.

Communication

PHONE

The telephone works as a standard telephone but is intended for emergency calls. The phone is mounted on the platform panel. Equipped with redial memory, mute button and a lamp indicator for on/off. Can be equipped with a GSM module. Aritco does not supply SIM cards.



PHONE SOCKET

Swedish standard socket to connect your own telephone.



AUTODIALER - SAFELINE MX

Equipment for emergency calls. Integrated on the platform panel. Can be programmed with up to four numbers. Dials automatically when the alarm button is pressed. When unanswered after a predefined time, the call is automatically escalated to the next number. The autodialer can be equipped with a GSM module. Aritco does not supply SIM cards.



EXTERNAL ALARM SOUNDER

Loud signal to attract attention in case of emergency. The alarm sounder is mounted outside the lift. Activates when the alarm button is pressed. When installed outside it must be installed under a roof, to protect it from rain etc.



ARRIVAL GONG

An audible signal when the platform arrives at each landing



REMOTE CONTROL

Radio controlled remote control with a range up to 25 meter. The remote control can be used either to run the platform or to activate the call button. The latter can for example be used by a receptionist who allows the use of the lift.

The remote control can include up to 6 buttons with the text 1-6. If the remote control is used to run the lift it must be connected to the platform buttons.

Number of receivers

Activating a call button: One receiver per button
Operation of platform: One receiver per two floors

Radio covers up to 6 floors.



Miscellaneous

230 VOLT 3-PHASE

If the building/site does not support 400 volt 3-phase.
Lifts up to 500 kg.

400 VOLT 3-PHASE

Delivered as standard.
Lifts up to 500 kg.

230 VOLT 1-PHASE FREQUENCY CONVERTER

If the building/site does not support 230 or 400 volt 3-phase.
The frequency converter has a built-in soft start function.
Restricted max weight is 410 kg.



SOFT START

Provides a smoother start when a landing button is pressed.
Does not apply to 230V 1-phase power supply.
Mounted in the electrical cabinet.
Included for 500 kg.

BATTERY OPERATED EMERGENCY LOWERING

Secures a safe travel to the nearest landing in case of power failure.
Mandatory if the position of the electrical cabinet is on an alternate landing than the top floor.



Battery operated emergency lowering is mandatory for platform size 900x1040 mm since the electrical cabinet is mounted behind the platform panel and in top of the shaft and therefore can't be reached from outside.

MANUAL EMERGENCY LOWERING

Standard equipment. Delivered with a winch.

AUTOMATIC LUBRICATION

Oils the driving screw at regulated time intervals even if the lift is not in use.
Standard for lifts with a travel height of over 8000 mm.





Inspired in design, comfort and simplicity, the Aritco 2000 lifts offer a range of extraordinary possibilities. We combine creativity, technical know-how and professional commitment for an exceptional construction and lifelong durability. All of our platform lifts comply with European standards and regulations.

Aritco 2000 lift rises up to 3 meters, commonly located at the inside entrance of public buildings like banks, city halls, schools and hospitals. The lift comes in a bright grey colour, with a number of technical options to choose from. It can be provided with a key system to prevent unauthorised use. Installation requires just a few days.

Platform

The platform is the floor of the lift and is in its basic execution delivered with a side wall (half height) including the control panel. The platform is prepared for adding a ramp.

SPECIFICATIONS

Platform size A/C x B (mm)	Travel height (mm)	Speed, max (m/s)	Max load (kg)	Painted in RAL 9007 structure ¹⁾
950 x 1400	250 – 3000	0,15	350	✓

¹⁾ Can be painted in optional RAL colour

OPTIONS

PLATFORM FACEPLATE

The faceplate contains the destination buttons, emergency stop, alarm button, safeline (option), company logo, max weight and number of persons allowed. User instructions are available in following languages: Catalan, Czech, Danish, Dutch, English, Finnish, French, German, Greek, Hungarian, Icelandic, Lithuanian, Norwegian, Polish, Portuguese, Russian, Spanish, Swedish and Turkish.

All text and logos are screened to ensure good quality.
On request an individual logo can be screened on the faceplate.

- Aluminium
- Stainless steel



FACEPLATE PANEL

The faceplate panel in welded brushed aluminium gives a soft finish to the platform.
To prevent any trapping, a security list is mounted behind the faceplate panel which cuts off the security circuit when pressed down.



RAMP

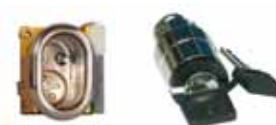
For easier access to the platform.
Standard equipment.



KEY SWITCH

Locks the platform functions and prohibits unauthorized use. Mandatory for public sites.
Two brands to choose from:
– ASSA (Nordic markets only). Aritco does not deliver the locking cylinder but only the housing.
– Telemecanique (2-ways, not retractive)

Aritco can provide one key switch per platform. The key switch can be serial connected to the emergency stop or to one or more buttons.



ASSA

Telemecanique

Aritco 2000 – platform

HANDRAIL

The handrail is mandatory according to the EN 81-41 standard.

- Aluminium
- Stainless steel



DESTINATION BUTTON

Mushroom head push button in black.

A sticker with an arrow indicating up or down is placed next to the button.



LANDING INDICATOR

Digital display positioned at the platform faceplate. The indicator can also be fitted with a voice announcer which is available in Danish, Dutch, English, Finnish, French, German, Norwegian, Polish and Swedish.

The landing indicator can also show information from the system.

- Warning if the batteries are low.
- A bell when the alarm button has been pressed.
- Number of starts and total run time since installation or since last reset.
- A weight symbol will appear if the lift is overloaded.
- “Fire” is shown when a fire alarm is activated in the building.



FLOORING

Vinyl, rubber, aluminium or simply no flooring at all. Choose between 9 different colours:



5710 - Grey



5660 - Blue



5620 - Beige



5630 - Sand



3280 - Classic Beech



3340 - European Oak



Aluminium



Black rubber



Blue rubber

The platform is prepared for other types of floors with maximum thickness of 3 mm without any modifications.

Door

The B-lift lift door is made of toughened, clear laminated safety Plexiglas, 4 mm.

All doors can be left- or right hinged. The door on the platform can be placed either on A- or C-side.

The other door is fixed on the top floor on the opposite side of the platform door.

HALF HEIGHT DOOR

Measures (mm)	Glass
900 x 1100	✓

Door OPTIONS

DOOR OPENER EXTERNAL

Opens and closes the doors automatically for easier access.



DOOR CLOSER EXTERNAL

Standard equipment.

Closes the door automatically.

KEY SWITCH

When you want to have a key in order to access the lift. Includes school locking function which automatically locks the door when it closes. Mandatory in public sites. Two brands to choose from:

- ASSA (Nordic markets only). Aritco does not deliver the locking cylinder but only the housing.
- Telemecanique (2 ways, retractive)

Aritco can provide one key switch per door. The key switch can be serial connected to the emergency stop or to one or more buttons.



ASSA



Telemecanique

EXTERNAL CALL STATION BOX

Comes as standard in RAL 9003 (Aritco white). The box can either be mounted exterior on wall or flush mounted, next to the door or if needed on another wall as far as the length of the delivered cable which is 1.5 m.

Size: 95 x 185 x 50 mm



DOOR FACEPLATE

The door faceplate can hold

- Call button
- Key switch Telemecanique, ASSA
- Call button & sensor
- Call button and key switch Telemecanique, ASSA

The faceplate in stainless steel gives the lift a more stylish impression, especially when combined with the stainless steel door handles. Possibility to place it at a distance from the lift.

- Aluminium (standard)
- Stainless steel.

Size: 95 x 185 mm

On request an individual logotype can be screened on the faceplate.



ASSA

Telemecanique

Faceplate box alternatives	Call button	Key switch ¹⁾	Call button & sensor	Call button and key switch ¹⁾
On door	✓	✓	✓	✓
In surface box	✓	✓	✓	✓
In inset box	✓	✓	✓	✓

¹⁾ ASSA, Telemecanique

CALL BUTTON

The call button must be mounted on an external faceplate box.

The call button comes with a background lit frame which indicates the status of the lift.

- Green light indicates that the lift is at your floor.
- Red light indicates that the lift is occupied. It is busy and you cannot call for it.
- The flashing light indicates that the security circuit is broken, e.g. that the emergency button is pressed, the door is open on another floor for more than one minute, the door is blocked or the safety frame is pressed down. The flashing light can also be activated by a sum alarm, more information is then available in the service memory.



RADIO CONTROLLED CALL BUTTON

The radio controlled button, placed in a plastic box, gives the customer the freedom to place the call button wherever they would like but within 10 meters from the lift. The button will run on batteries and will provide remote controlled access to the lift.

- White plastic box



Shaft

For the B-lift series there is no shaft in the sense of an enclosed area. The platform moves along one shaft panel which covers the machine and a shaft wall on the opposite side of the door. The bottom panel is removable for servicing. Must be opened with tools. The 25 mm thick shaft panels are made of non-flammable material (not styrofoam).

MACHINE SIDE CLADDING

The machine side cladding in galvanised steel covers the backside of the machine side if the lift is not mounted against a wall. The cladding can run from bottom to top height, but can also be ordered partly if the lift is partly mounted to a wall. The cladding is painted in same colour as shaft panels.

Size: Travel height plus top height.

Size	Painted in RAL colour ¹⁾
Complete	✓
Partly (in mm)	✓

¹⁾ Same colour as the shaft panel. Standard RAL 9007.

EXTERNAL SERVICE PANEL

Used to run system tests etc., and for emergency running the lift.

Size: 95 x 185 mm

A remote service panel is available for mounting outside the lift. In this case a wire connects it from the service panel.



ELECTRICAL CABINET

The position of the electrical cabinet is on the ground level where the door is located.

The service panel is placed in the electrical cabinet and is used to run tests etc.; and for emergency running the lift.

Size: 180 x 800 mm



Communication

PHONE

The telephone works as a standard telephone but is intended for emergency calls. The phone is mounted on the platform panel. Equipped with redial memory, mute button and a lamp indicator for on/off. Can be equipped with a GSM module. Aritco does not supply SIM cards.



PHONE SOCKET

Swedish standard socket to connect your own telephone.



AUTODIALER - SAFELINE MX

Equipment for emergency calls. Integrated on the platform panel. Can be programmed with up to four numbers. Dials automatically when the alarm button is pressed. When unanswered after a predefined time, the call is automatically escalated to the next number. The autodialer can be equipped with a GSM module. Aritco does not supply SIM cards.



EXTERNAL ALARM SOUNDER

Loud signal to attract attention in case of emergency. The alarm sounder is mounted outside the lift. Activates when the alarm button is pressed. When installed outside it must be installed under a roof, to protect it from rain etc.



ARRIVAL GONG

An audible signal when the platform arrives at each landing



REMOTE CONTROL

Radio controlled remote control with a range up to 25 meter. The remote control can be used either to run the platform or to activate the call button. The latter can for example be used by a receptionist who allows the use of the lift.

The remote control can include up to 6 buttons with the text 1-6. If the remote control is used to run the lift it must be connected to the platform buttons.

Number of receivers

Activating a call button: One receiver per button
Operation of platform: One receiver per two floors

Radio covers up to 6 floors.



Miscellaneous

BATTERY OPERATED EMERGENCY LOWERING

Secures a safe travel to the nearest landing in case of power failure.
Standard equipment.



AUTOMATIC LUBRICATION

Oils the driving screw at regulated time intervals even if the lift is not in use.



Glass panels



Clear glass



Clear glass visibility



JT16



JT16 visibility



JT5 visibility



JT23 visibility

Order information

Your order can be packaged for:

- Trailer
- Boat in container
- Boat in crate
- Air freight

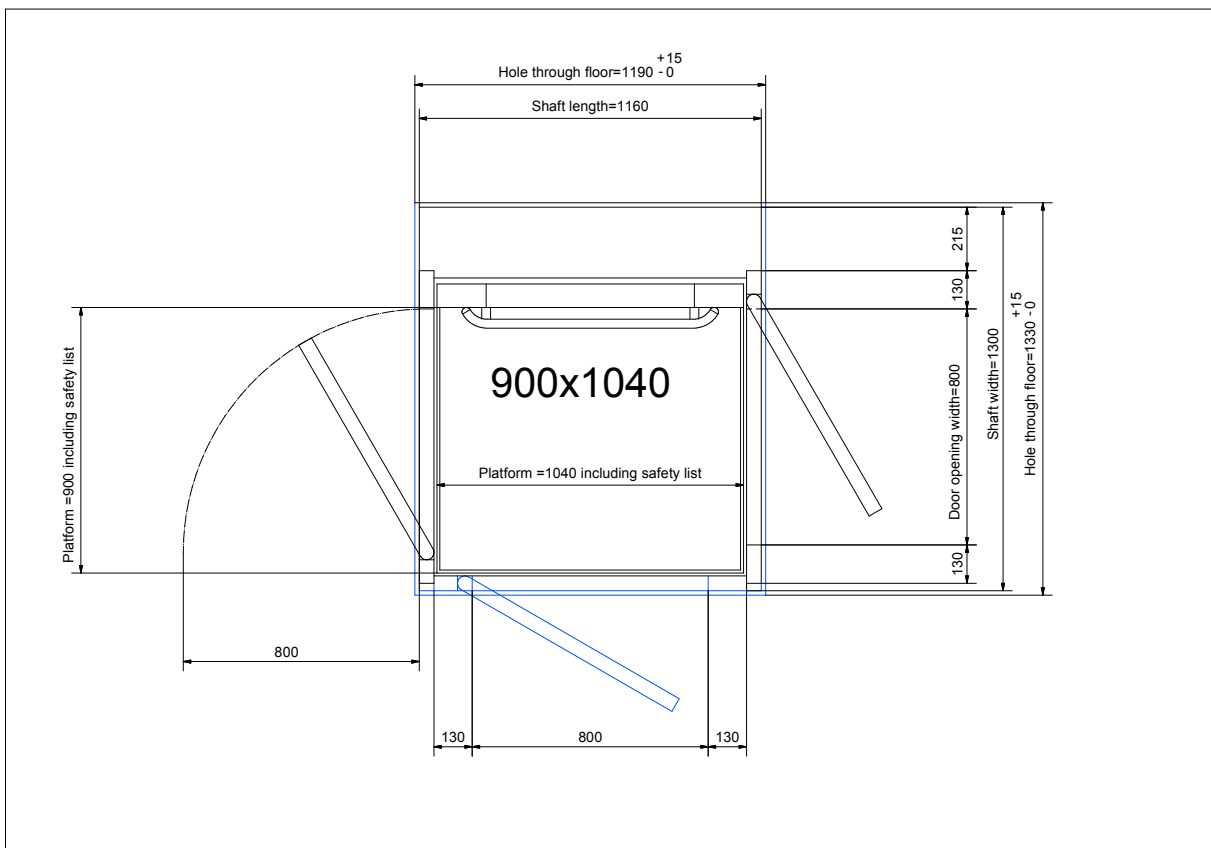
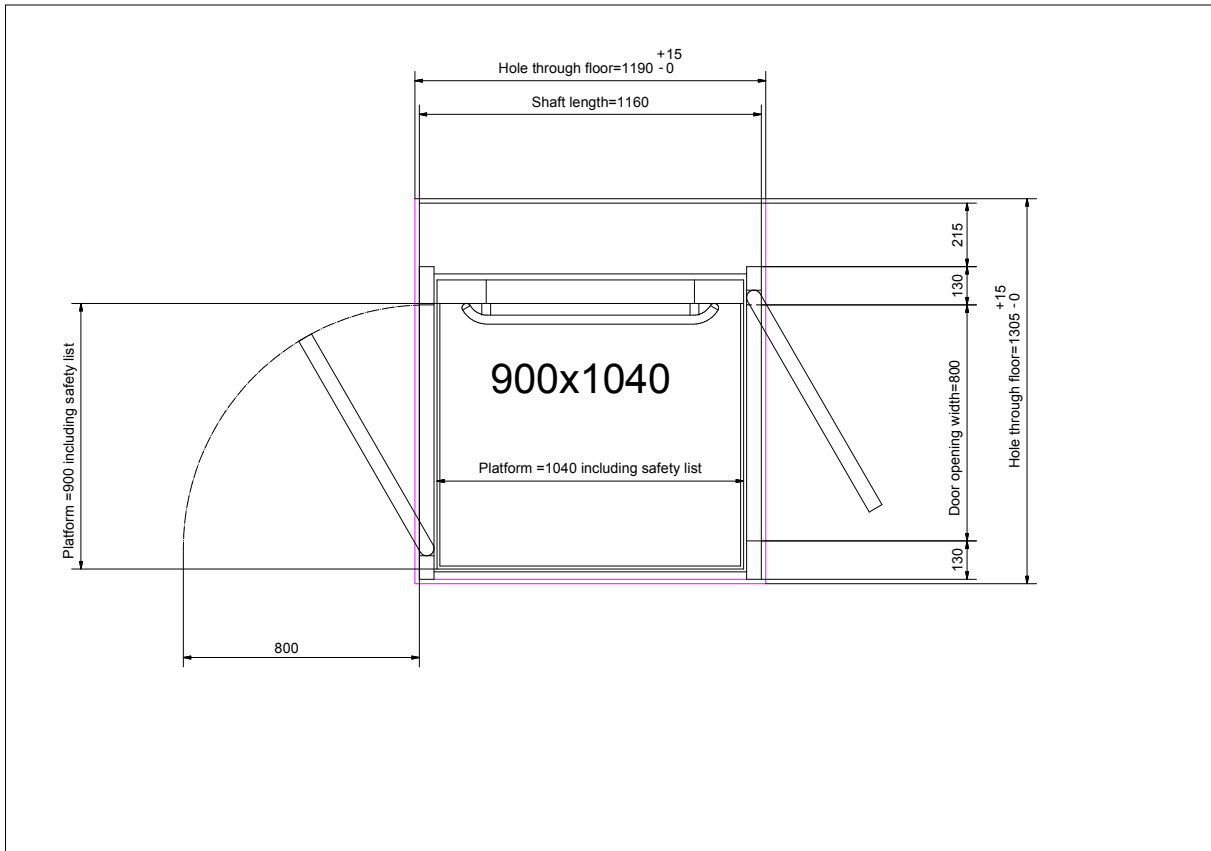
Storage cost will be charged due to:

- Transportation or delayed installation.
- Unsettled payments.

Costs will be charged for:

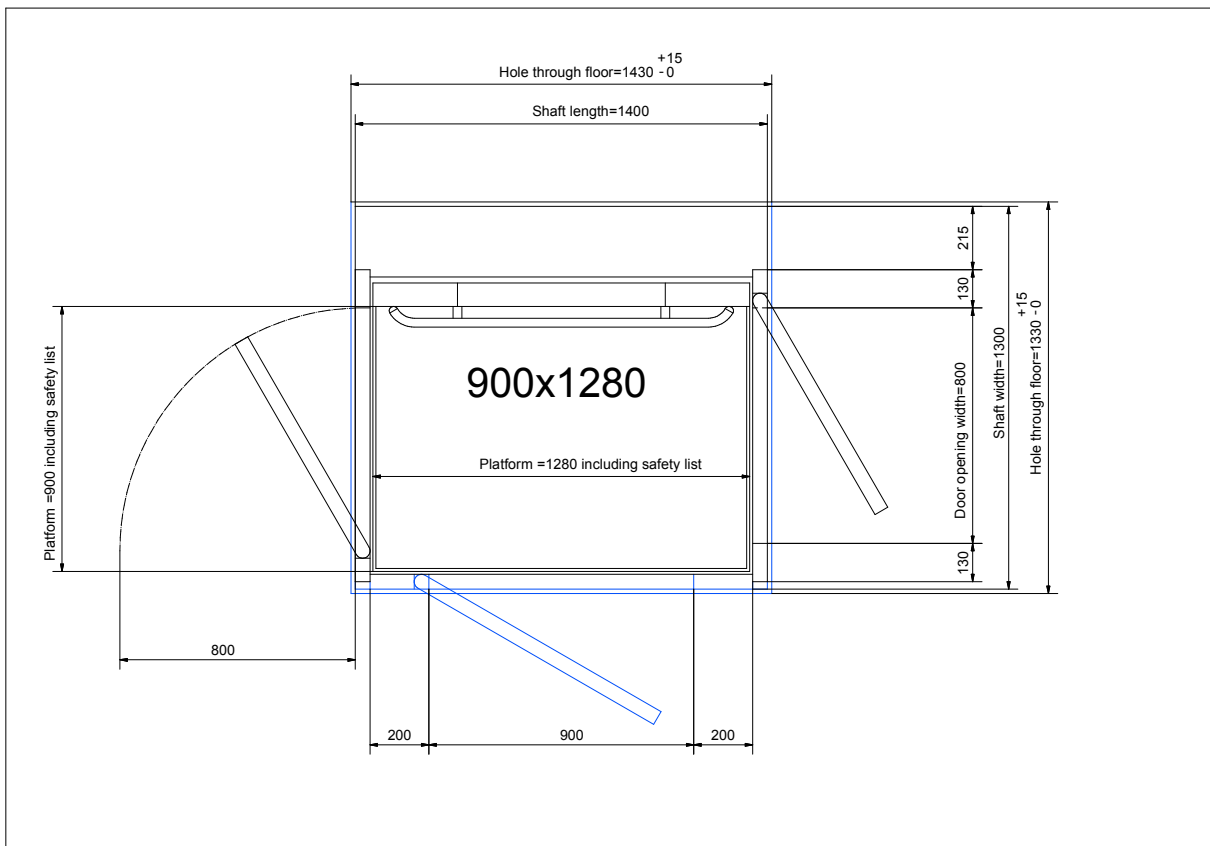
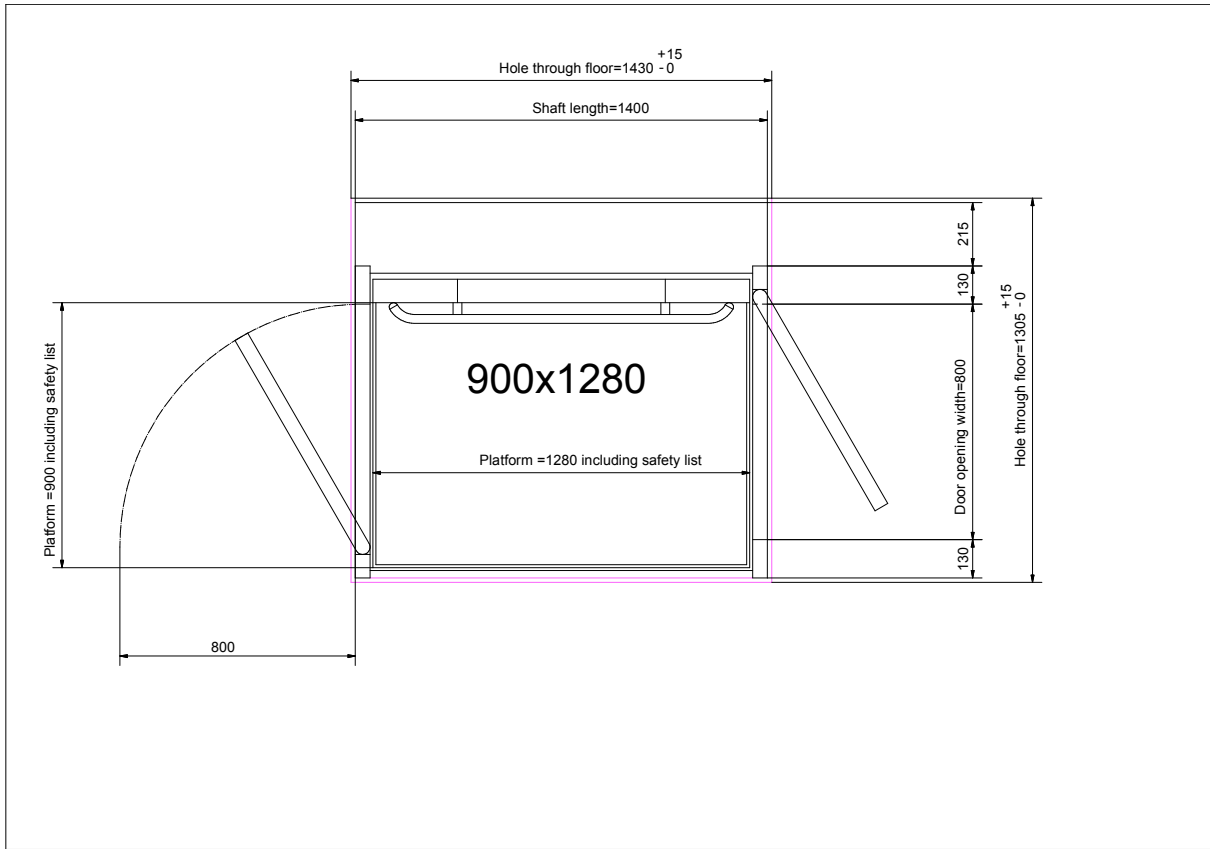
- Cancellation of submitted order – Basic.
- Cancellation of submitted order – Advanced
(Later than 2 weeks prior to shipment week) – price for parts may apply.
- Express production - shipment earlier than confirmed week – additional costs may apply.

PLATFORM 900 X 1040

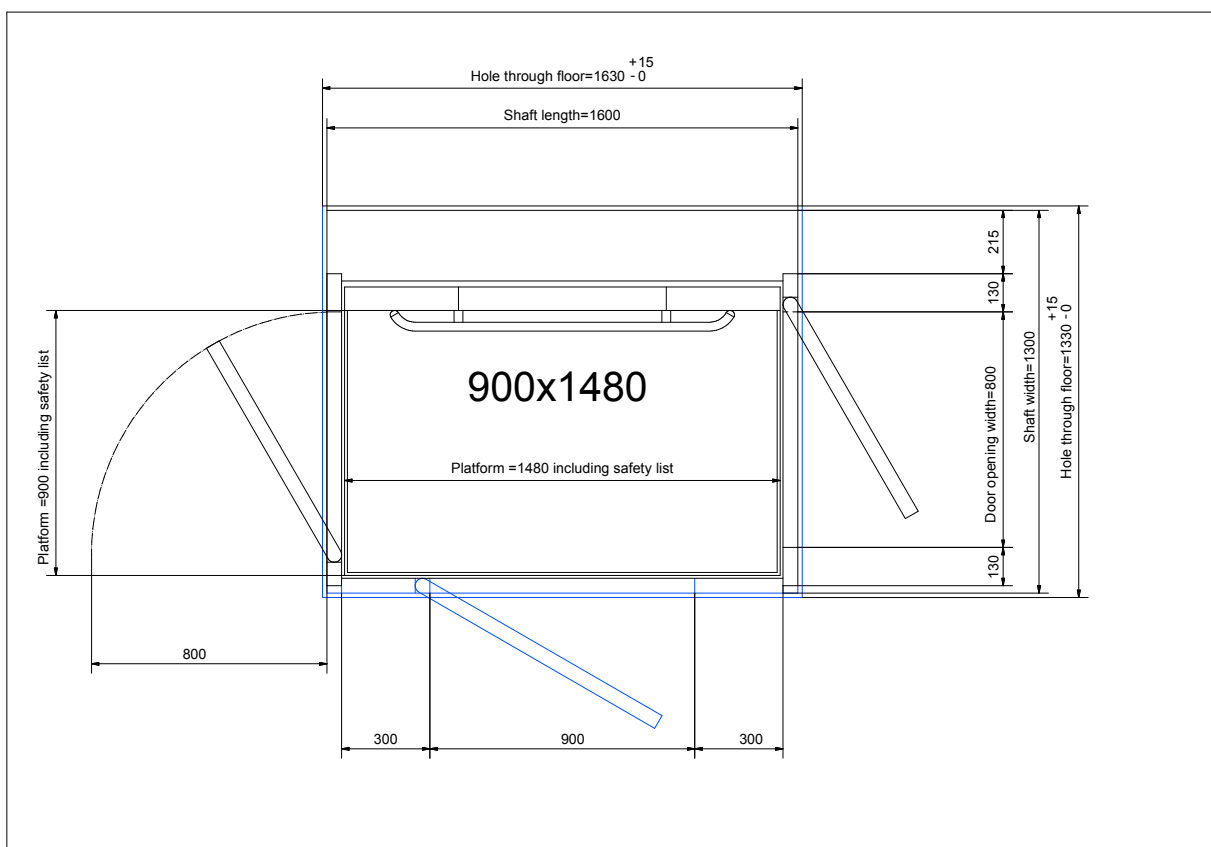
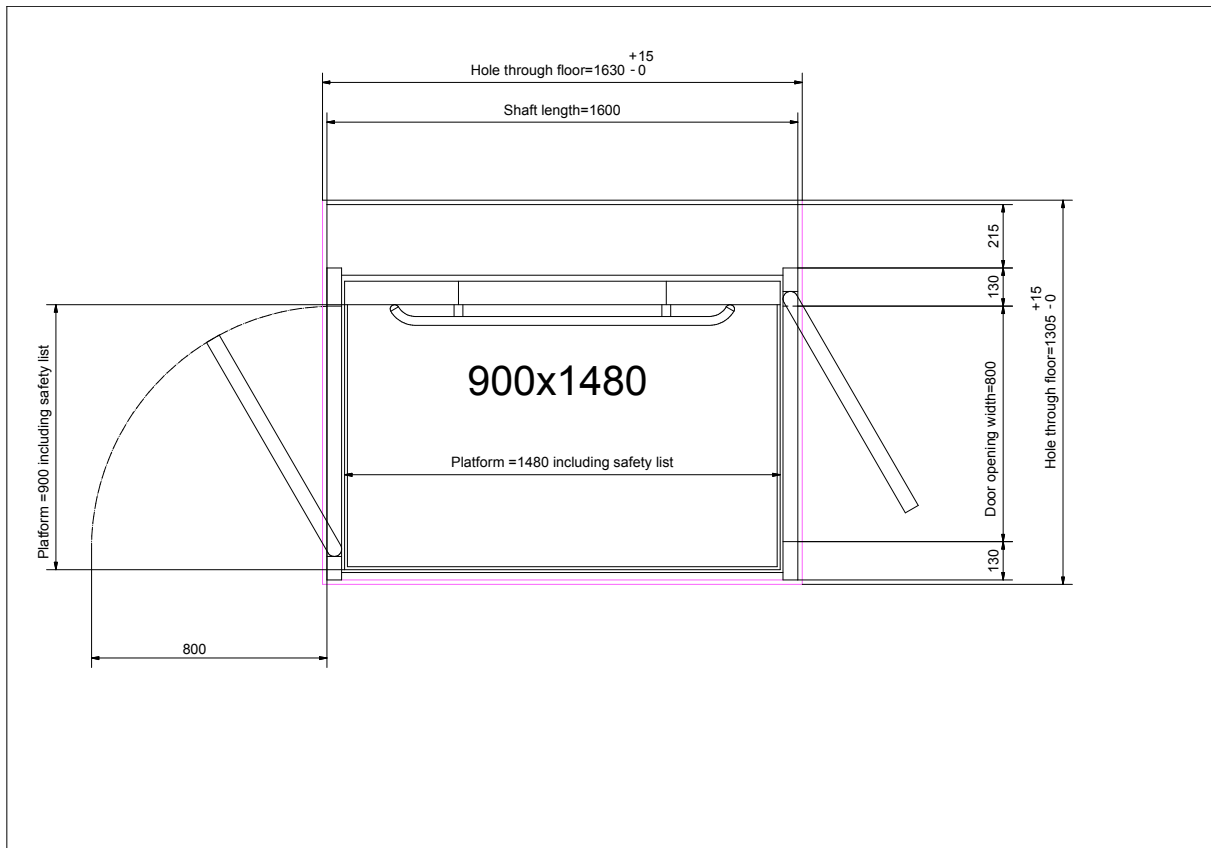


Platform measurements Aritco 7000

PLATFORM 900 X 1280

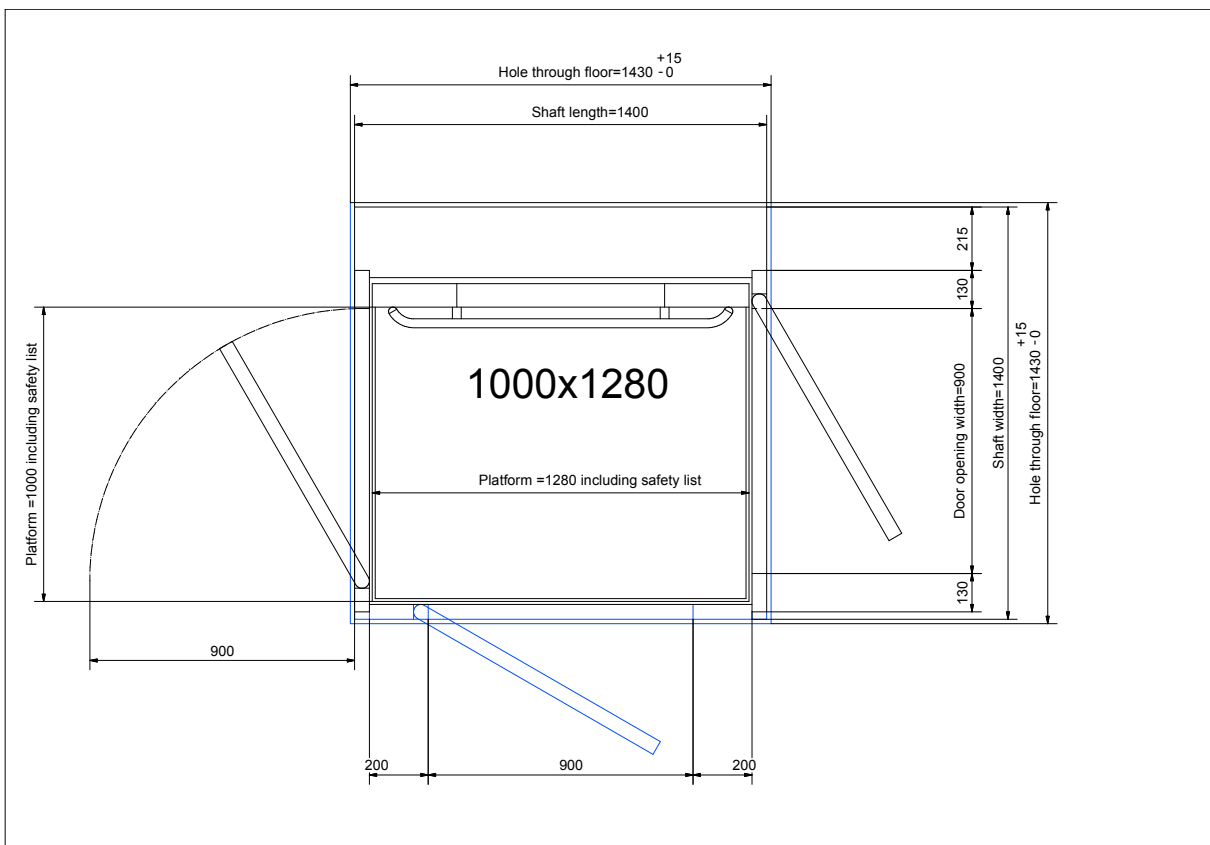
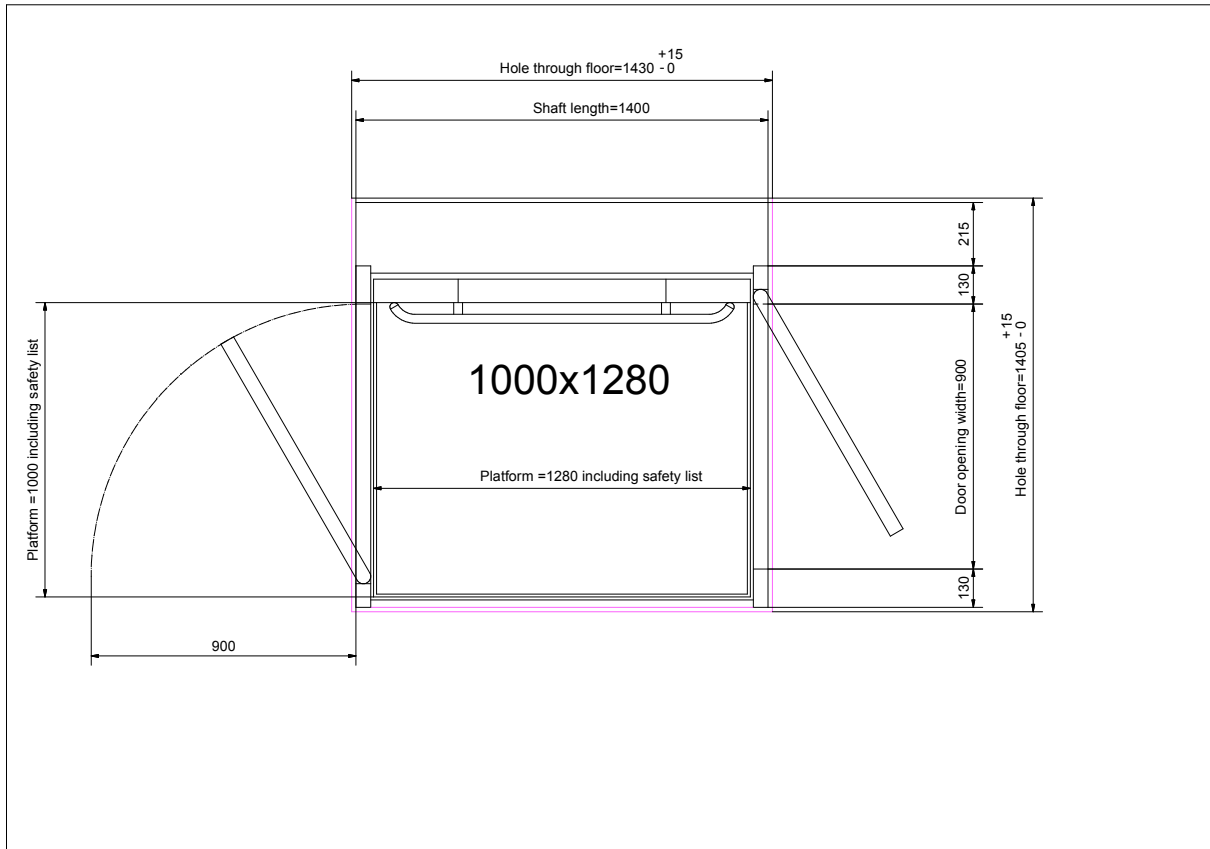


PLATFORM 900 X 1480

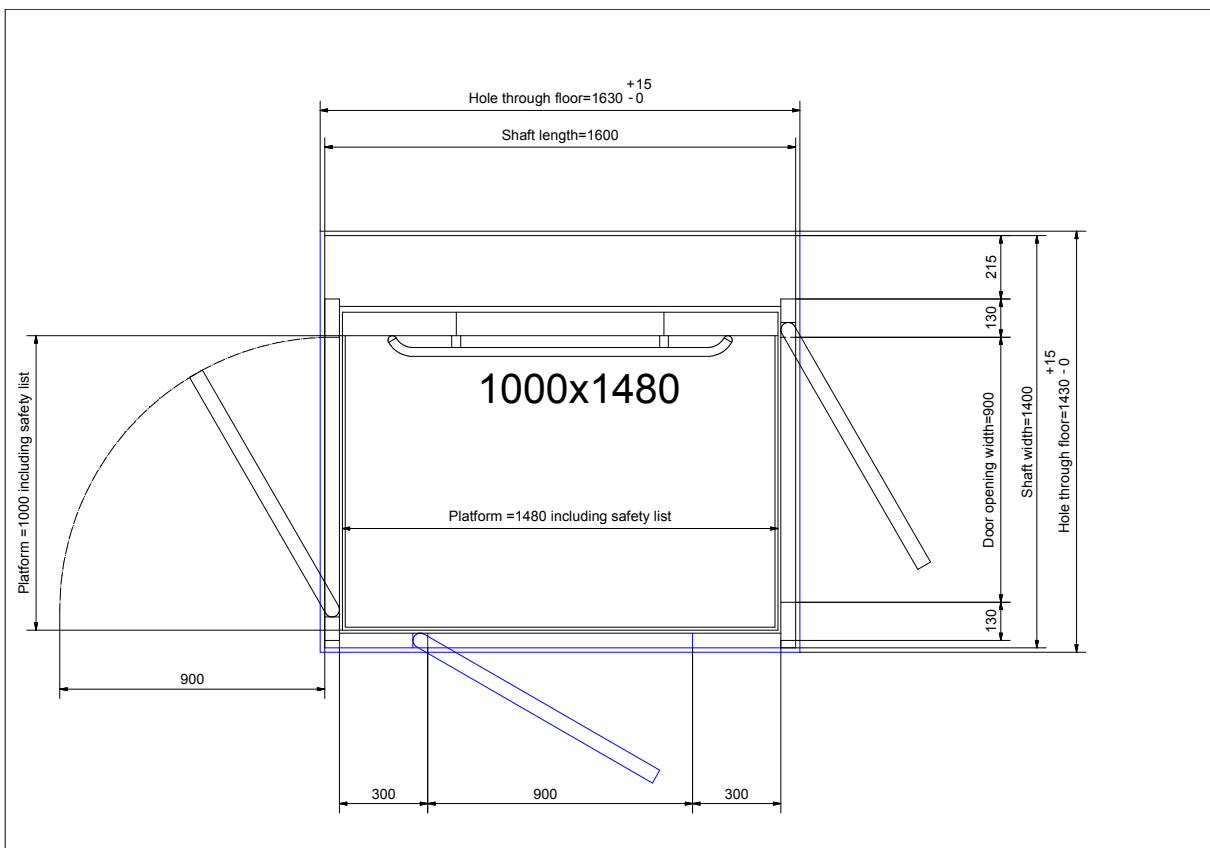
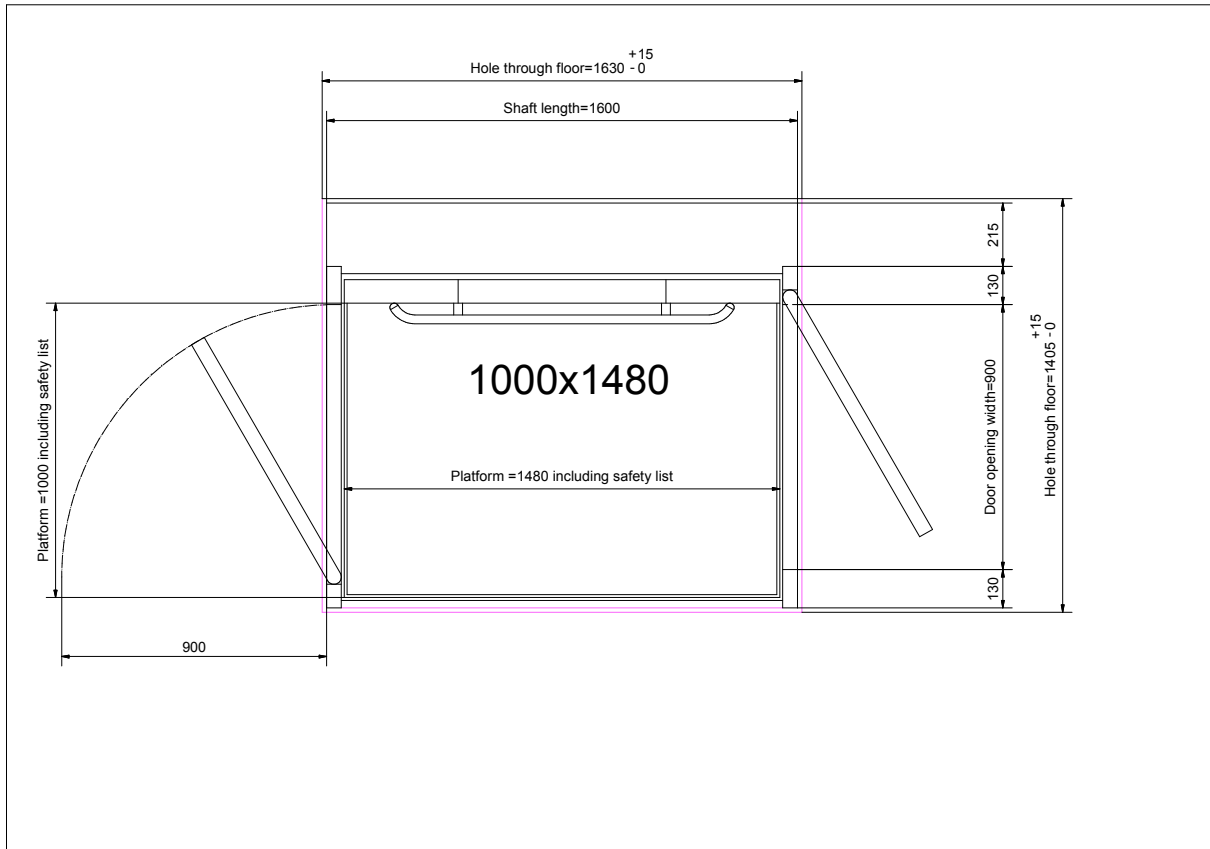


Platform measurements Aritco 7000

PLATFORM 1000 X 1280

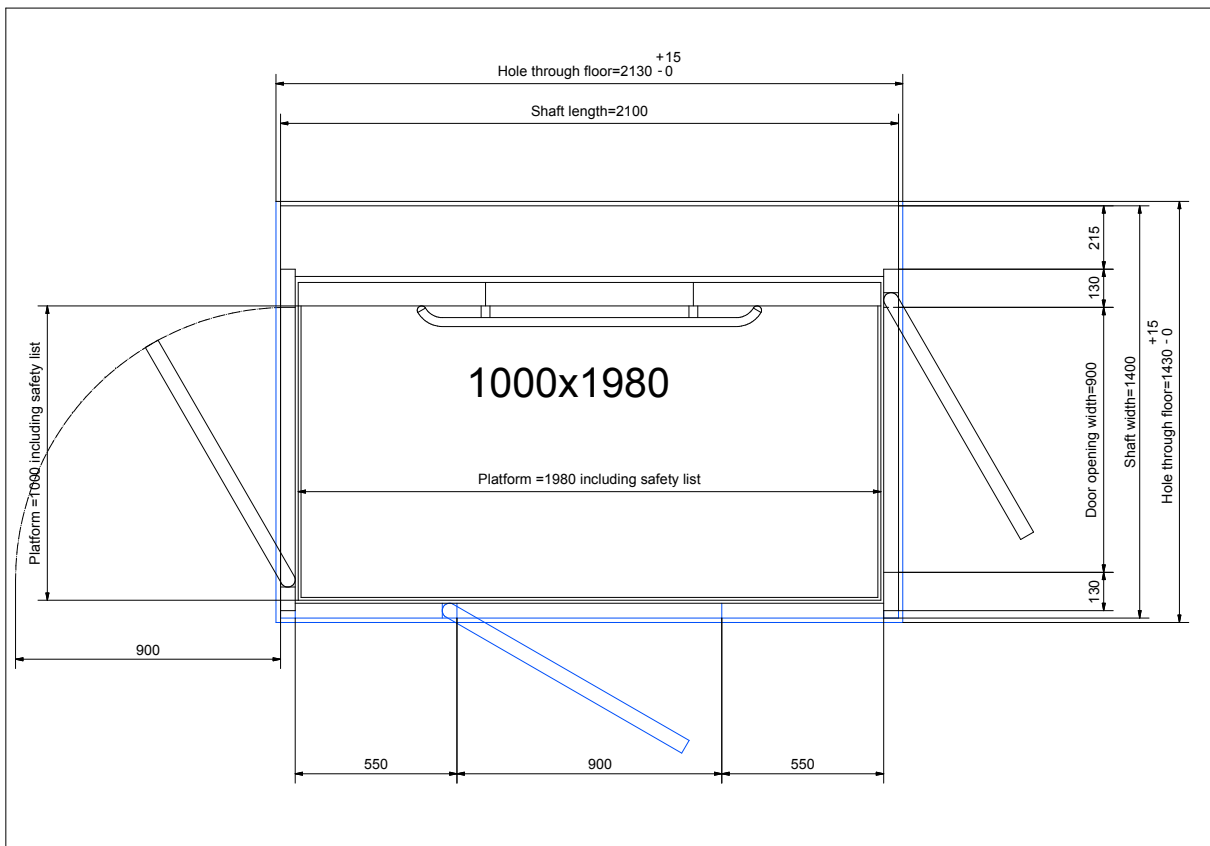
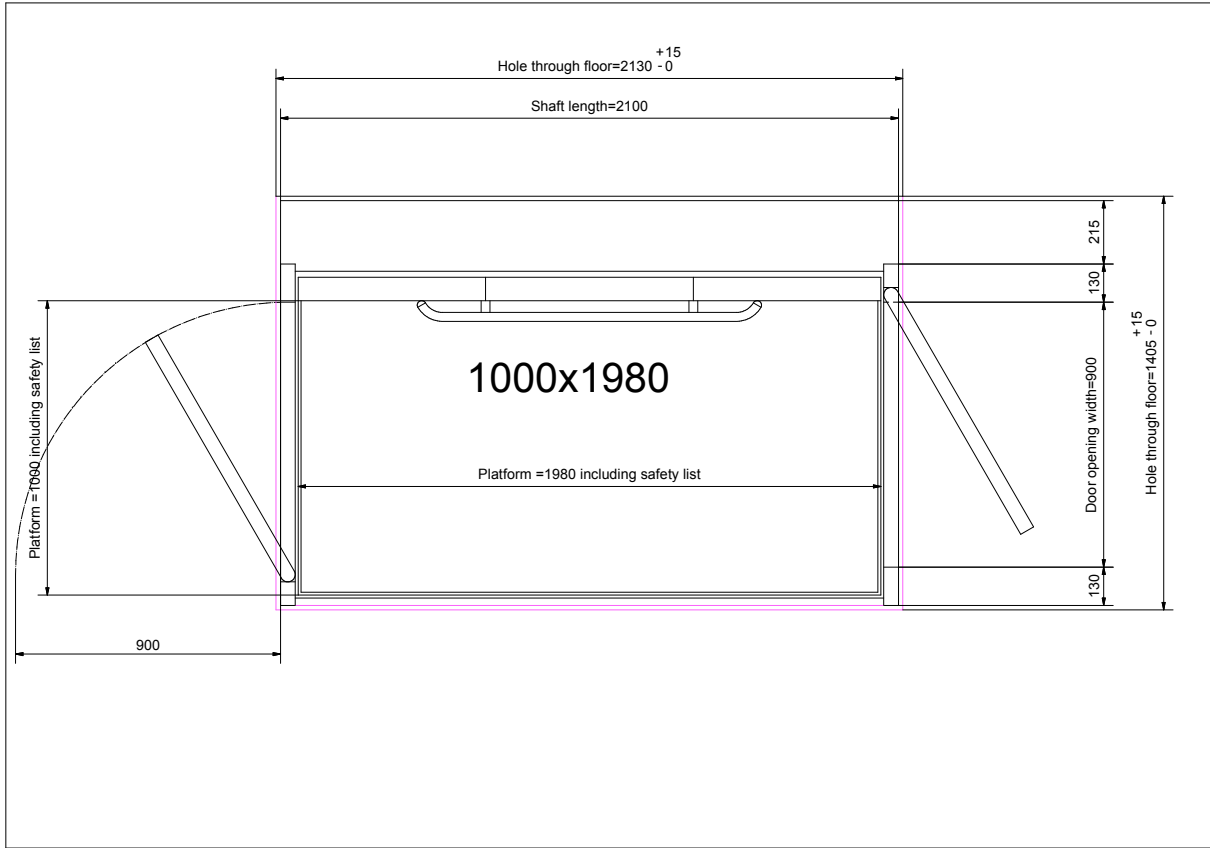


PLATFORM 1000 X 1480

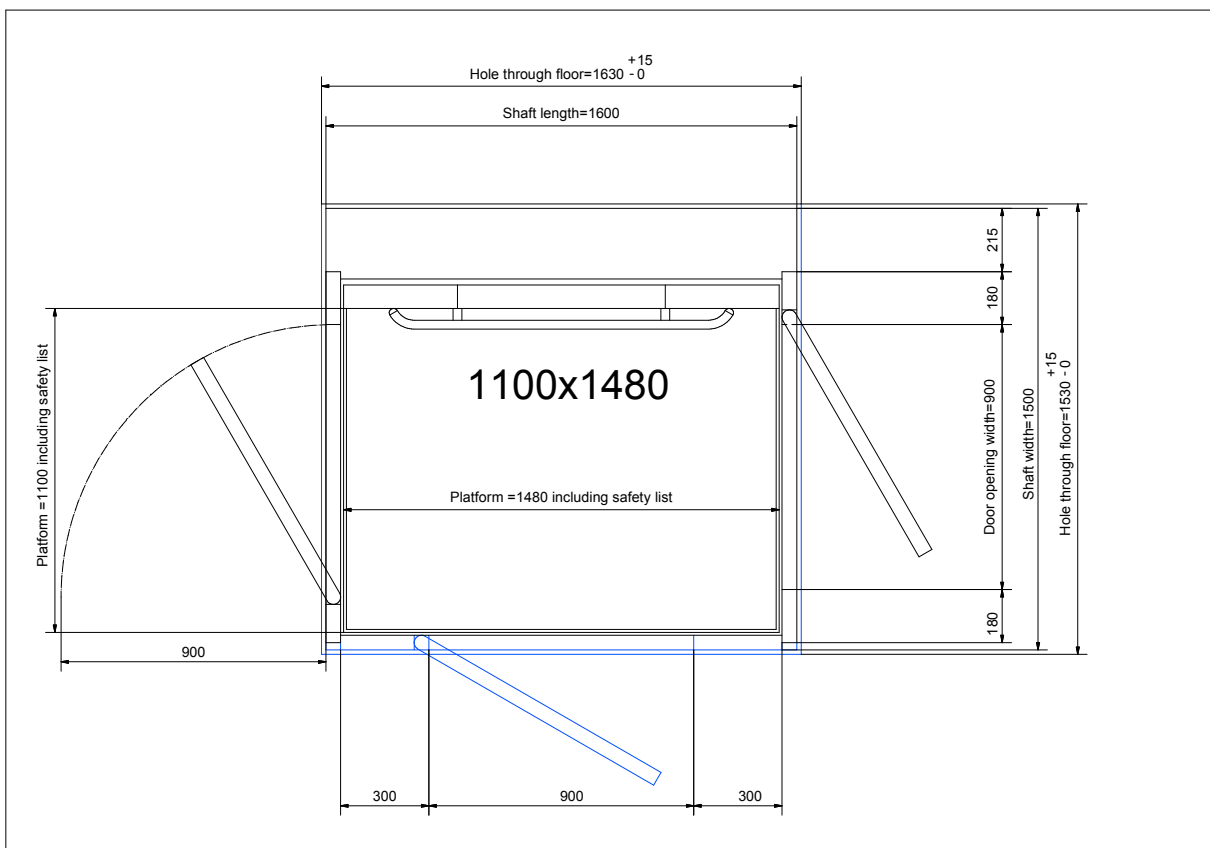
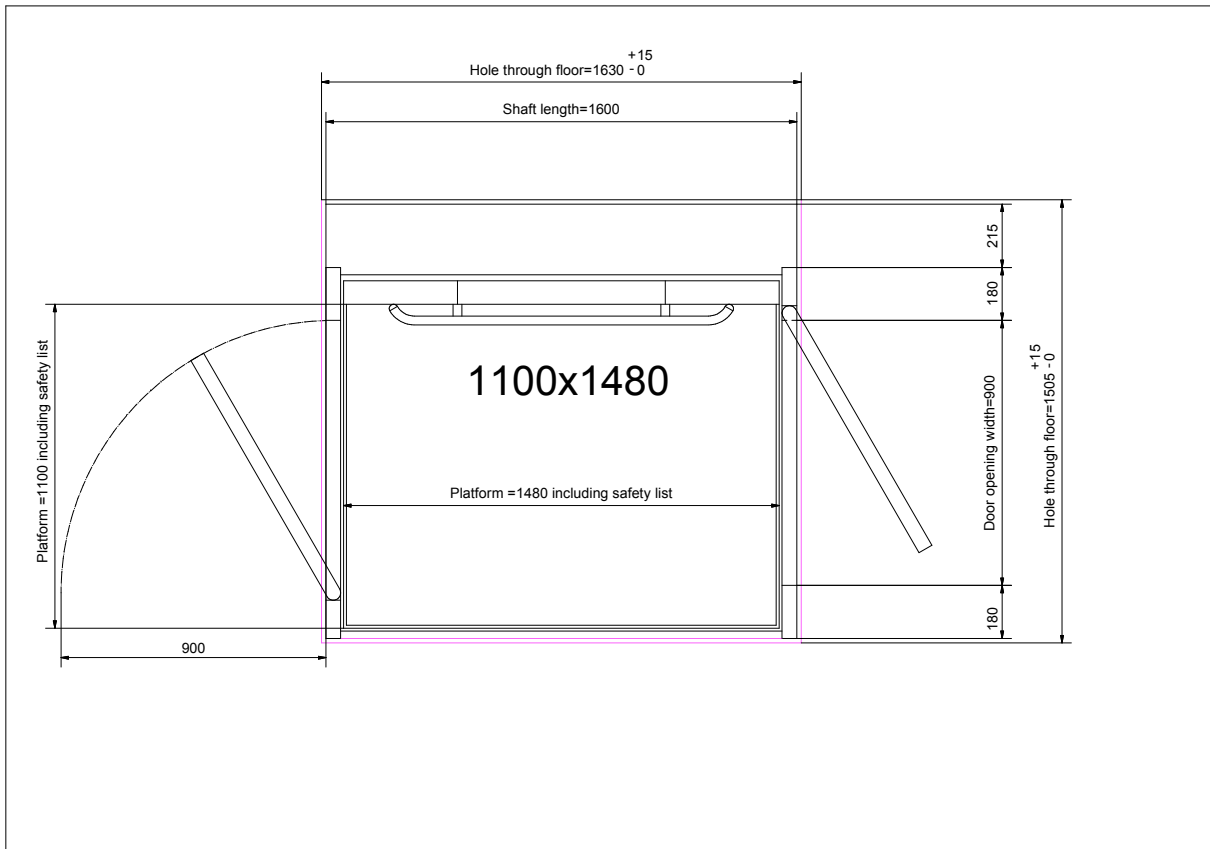


Platform measurements Aritco 7000

PLATFORM 1000 X 1980

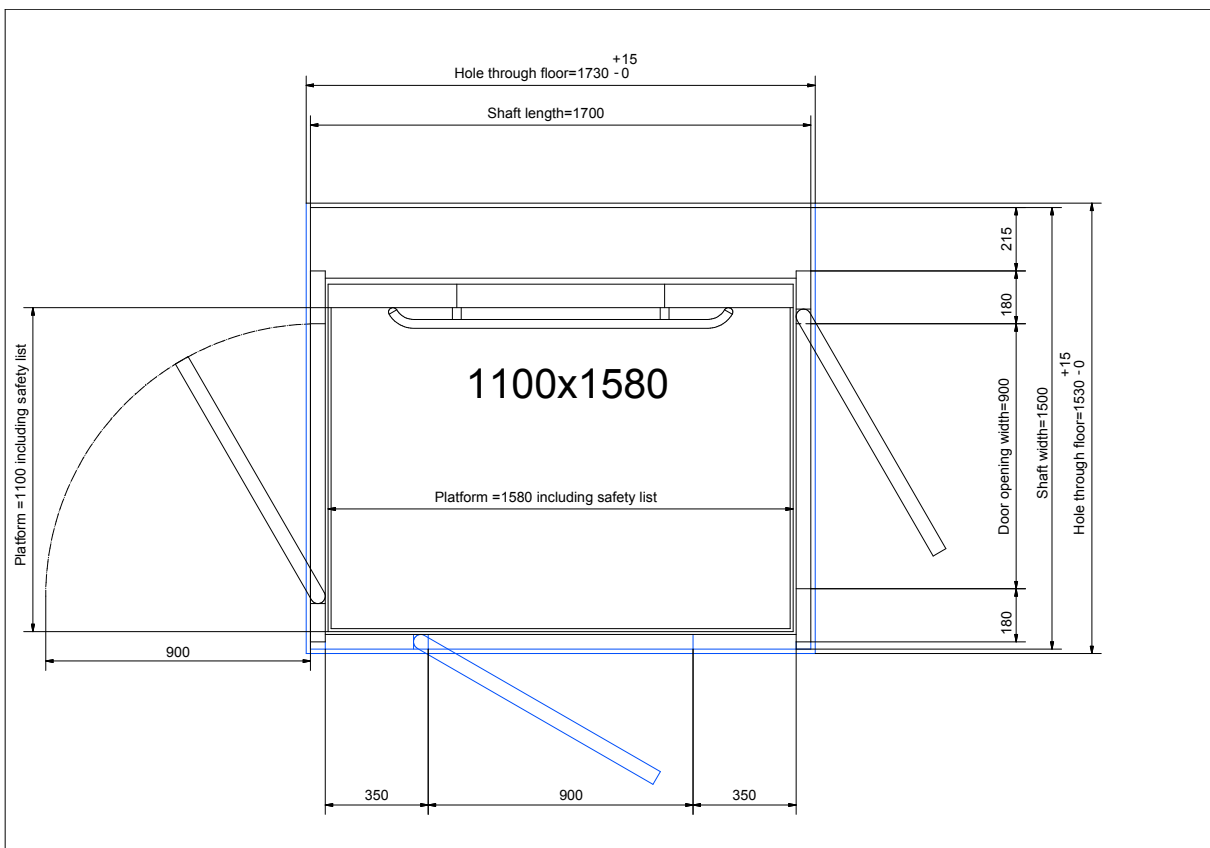
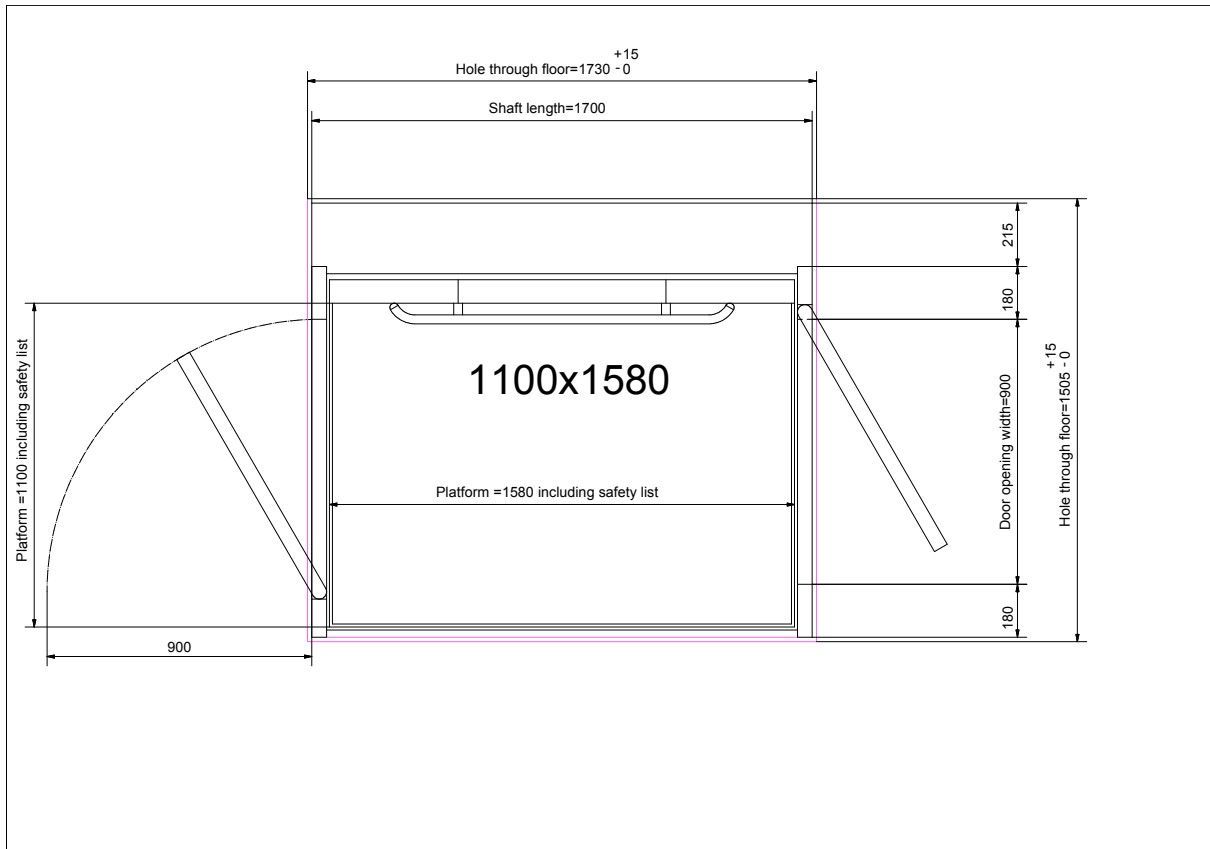


PLATFORM 1100 X 1480

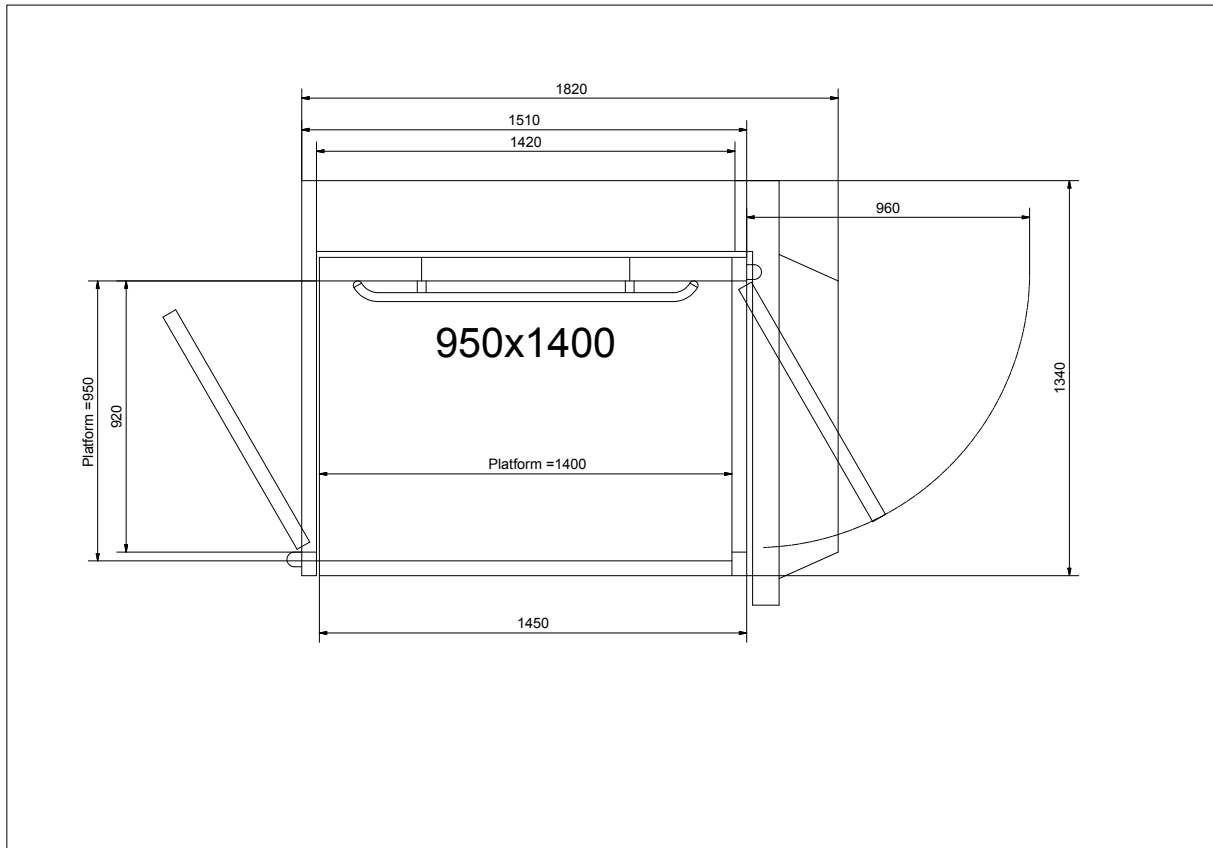


Platform measurements Aritco 7000

PLATFORM 1100 X 1580



PLATFORM 950 X 1400



Platform overview

ARITCO 7000

Platform A/C x B [mm]	900x1040	900x1280	900x1480	1000x1280	1000x1480	1000x1980	1100x1480	1100x1580
Hole through floor - doors A/C-side [mm]	1190x1305	1305x1430	1305x1630	1405x1430	1405x1630	1405x2130	1505x1630	1505x1730
Shaft size - doors A/C-side [mm]	1160x1275	1275x1400	1275x1600	1375x1400	1375x1600	1375x2100	1475x1600	1475x1700
Hole through floor - doors A/C & B-side [mm]	1190x1330	1330x1430	1330x1630	1430x1430	1430x1630	1430x2130	1430x2130	1530x1730
Shaft size (mm)- doors A/C & B-side [mm]	1160x1300	1300x1400	1300x1600	1400x1400	1400x1600	1400x2100	1400x2100	1500x1700
Doors A/C-side [mm]	800	800	800	900	900	900	900/1000	900/1000
Doors B-side [mm]	800	900/1000	900/1000	900/1000	900/1000	900/1000	900/1000	900/1000
Half size door upper level 1)	Yes	Yes	Yes	Yes	Yes	Yes A/C-side	Yes	Yes A/C-side
Wheelchair acc. EN81-41	Type A	Type A	Type A & B with assistant	Type A & B with assistant	Type A & B with assistant	Type A & B with assistant	Type A & B with assistant	Type A & B with assistant
Max load [kg]	250	410	500	410	500	500	500	500

¹⁾ Travel height using half door is maximum 3 000 mm

Aritco contact information

If you need to contact Aritco, please note the following functions, people and coordinates:

SALES	John Löwbäck	john.lowback@aritco.se	+46 8 120 401 25
	Åsa Lovén	asa.loven@aritco.se	+46 8 120 401 04
	Martin Frid	martin.frid@aritco.se	+46 8 120 401 03
	Börje Fransson	borje.fransson@aritco.se	+46 8 120 401 02
	Peter Sälgröm	peter.salgstrom@aritco.se	+46 8 120 401 05
ORDER		orders@aritco.se	
SPARES & WARRANTIES	Fredrik Windahl	spares@aritco.se	+46 8 120 401 06
TECHNICAL SUPPORT	Colin Eldridge	colin.eldridge@aritco.se	+46 8 120 401 07
PRODUCT MANAGEMENT	Petra Lind	petra.lind@aritco.se	+46 8 120 401 09

Aritco Lift AB
Energivägen 7
196 37 Kungsängen
SWEDEN

T: +46 8 120 401 00
F: +46 8 120 401 99
E: info@aritco.se

www.aritco.com

Aritco is the world leading platform lift and home lift manufacturer. There are 90 employees and the company turnover is SEK 300 million. Aritco provides two ranges of products, LIVING for the private market and PRIME for the public market. www.aritco.com

